

STEM HERO

WITH VIRTUAL ROBOTICS TOOLKIT

Robots Got Talents
Individual Courses

robotsgottalents@yahoo.com
<https://www.robotsgottalents.com/>
<https://www.facebook.com/RobotsGotTalents/>
https://www.instagram.com/robots_got_talents/

THIS COURSE CONTAINS:

- Robots Got Talents Student Zone
- Robots Got Talents Download Zone
- MINDSTORMS® For Beginners Book
- Course Participation Certificate
- Lesson by Lesson Plan
- STEM HERO Course Quizzes

And much more

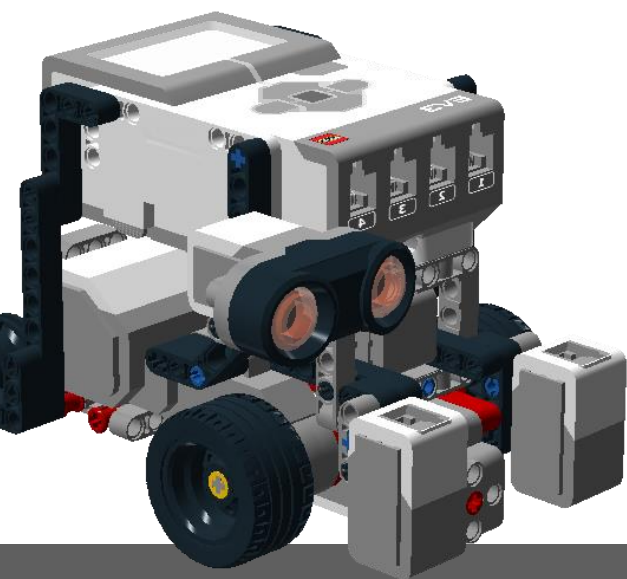
Course Introduction

STEM HERO COURSE 2020

Throughout STEM HERO (Individual Edition) participants will learn about robotics, artificial intelligence and programming as They Design, Build and program LEGO MINDSTORMS EV3 On-screen Robots using Virtual Robotics Toolkit (15 days trail) and LEGO DIGITAL DESIGNER (free software). This Course contain all needed material to give you the best course experience. Student Zone containing Topic by Topic Presentations, quizzes and LEGO® MINDSTORMS® Activities with video tutorials, and the Download Zone containing Course Book, presentations, lesson plan.

STEM HERO Course consists of 7 main lessons that cover all the topics and activities mentioned in the next page.

Good Luck,



Topics Covered:

STEM HERO COURSE 2020

Lesson One:

- Robotics Introduction
- Robots characteristics
- Robots Uses & Types
- Lego Mindstorms Introduction (EV3 & NXT)
- Quiz 1

Lesson Two:

- Main Mindstorms Pieces (Main + Technic)
- Programming Robots & Blocks
- VRT User Interface & Remote Control
- Exercise One
- Quiz 2

Lesson Three:

- Action Blocks
- Exercise Two
- Exercise Three
- Quiz 3

Lesson Four:

- Lego Digital Designer
- Lego Digital Designer Modes & Controls
- LDD Building Ex1
- Importing LDD Models
- Quiz 4

Lesson Five:

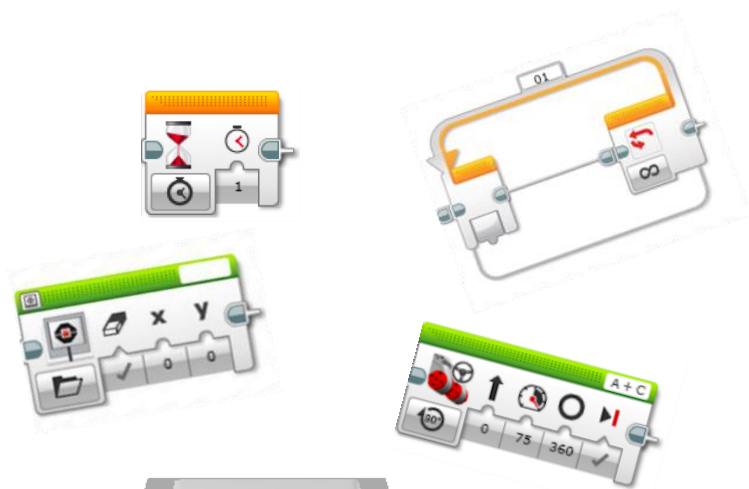
- Flow Blocks
- Exercise 4
- Attachment Manager
- Exercise 5
- Quiz 5

Lesson Six:

- Exercise 6
- Sensor Blocks
- Port View
- Quiz 6

Lesson Seven:

- LDD Building Ex2 + Importing
- Mindstorms Programming Revision



Joining the course

STEM HERO Course 2020

Step One:

Anyone could join any of Robots Got Talents Individual Courses by filling the Course Registration form Available in Robots Got Talents Website <https://www.robotsgottalents.com/> and within 2 days you will receive the chosen course login password via mail.

Step Two:

After receiving your login password, open the Download Zone to download the Course Guide, lesson Plan, presentations and any extra included documents that could help you enroll into the course. Robots Got Talents also offer a free PDF version of the MINDSTORMS® For Beginners Book for all course participants (don't forget to print it).

Step Three:

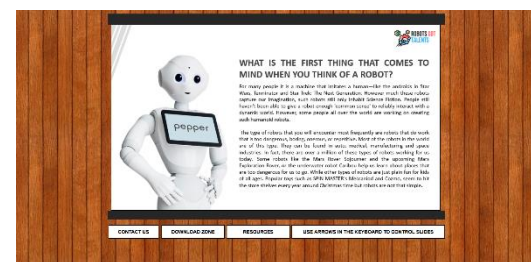
The next step is opening the Students Zone, The Student zone is a Topic by Topic Interactive Presentation, which guides throughout the course. The Students Zone also include the Final Course Quiz, and the course exercises with video tutorials. Robots Got Talents also offer you a section, where you could contact with the course developers and ask them about anything in the course.

Terms & Conditions:

- Organizations are not allowed to use the Individual Edition of the course
- You are not allowed to share or give the course to any other organization without Robots Got Talents permission.
- You are allowed to use this course for commercial (Individual Edition)
- You are not allowed to edit course presentations or guides
- By starting the STEM HERO course you agree on all Robots Got Talents terms and conditions.
- For publishing any of the courses photos on social media you must tag Robots Got Talents or use the hash tag (#robotsgottalents)

By Signing into the course you agree with all Robots Got Talents Platform terms & condition

Course Signup Form



Course Students Zone